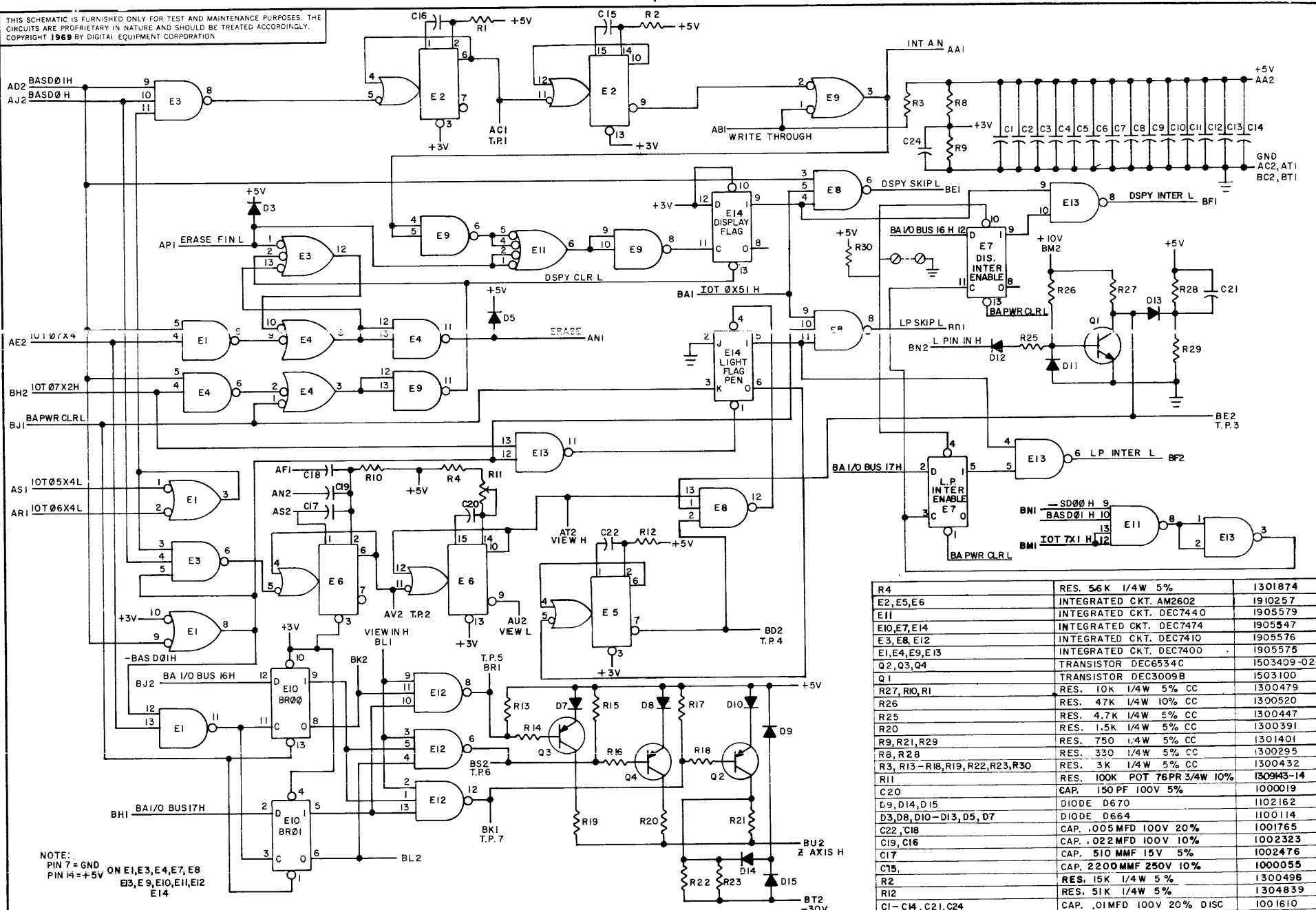


THIS SCHEMATIC IS FURNISHED ONLY FOR TEST AND MAINTENANCE PURPOSES. THE CIRCUITS ARE PROPRIETARY IN NATURE AND SHOULD BE TREATED ACCORDINGLY. COPYRIGHT 1969 BY DIGITAL EQUIPMENT CORPORATION.

M717-2



NOTE:
 PIN 7 = GND ON E1,E3,E4,E7,E8
 PIN 14 = +5V ON E3,E9,E10,E11,E12,E14

PIN 8 = GND ON E2,E5,E6
 PIN 16 = +5V JUMPER NORMALLY OUT

REFERENCE DESIGNATION	DESCRIPTION	PART NO
R4	RES. 56K 1/4W 5%	1301874
E2, E5, E6	INTEGRATED CKT. AM2602	1910257
E11	INTEGRATED CKT. DEC7440	1905579
E10, E7, E14	INTEGRATED CKT. DEC7474	1905547
E3, E8, E12	INTEGRATED CKT. DEC7410	1905576
E1, E4, E9, E13	INTEGRATED CKT. DEC7400	1905575
Q2, Q3, Q4	TRANSISTOR DEC6534C	1503409-02
Q1	TRANSISTOR DEC3009B	1503100
R27, R10, R1	RES. 10K 1/4W 5% CC	1300479
R26	RES. 47K 1/4W 10% CC	1300520
R25	RES. 4.7K 1/4W 5% CC	1300447
R20	RES. 1.5K 1/4W 5% CC	1300391
R9, R21, R29	RES. 750 1/4W 5% CC	1301401
R8, R28	RES. 330 1/4W 5% CC	1300295
R3, R13-R18, R19, R22, R23, R30	RES. 3K 1/4W 5% CC	1300432
R11	RES. 100K POT 76PR 3/4W 10%	130943-14
C20	CAP. 150 PF 100V 5%	1000019
D9, D14, D15	DIODE D670	1102162
D3, D8, D10-D13, D5, D7	DIODE D664	1100114
C22, C18	CAP. .005MFD 100V 20%	1001765
C19, C16	CAP. .022MFD 100V 10%	1002323
C17	CAP. 510 MMF 15V 5%	1002476
C15	CAP. 2200MMF 250V 10%	1000055
R2	RES. 15K 1/4W 5%	1300496
R12	RES. 51K 1/4W 5%	1304839
C1-C4, C21, C24	CAP. .01MFD 100V 20% DISC	1001610
	PARTS LIST	
	REFERENCE DESIGNATION	DESCRIPTION
		PART NO

REV	DATE	BY	CHK'D
1	3-12-69	M. Haller	
2	11/26/69	And. Smith	
3	6/3/69	W. C. ...	

DATE	DESCRIPTION	BY
DEC 30 1969	DEC3009B	
DEC 30 1969	DEC6534B	

DATE	DESCRIPTION	BY
DEC 30 1969	DEC3009B	
DEC 30 1969	DEC6534B	

DATE	DESCRIPTION	BY
DEC 30 1969	DEC3009B	
DEC 30 1969	DEC6534B	

DATE	DESCRIPTION	BY
DEC 30 1969	DEC3009B	
DEC 30 1969	DEC6534B	

DATE	DESCRIPTION	BY
DEC 30 1969	DEC3009B	
DEC 30 1969	DEC6534B	

DATE	DESCRIPTION	BY
DEC 30 1969	DEC3009B	
DEC 30 1969	DEC6534B	

DATE	DESCRIPTION	BY
DEC 30 1969	DEC3009B	
DEC 30 1969	DEC6534B	

digital EQUIPMENT CORPORATION
 MAYNARD, MASSACHUSETTS

TITLE: DISPLAY CONTROL VP09
 M717

SIZE: C CODE: CS NUMBER: M717-0-1 REV: C

PRINTED CIRCUIT REV. 1

Dist. 324, 434, 43

Pink